

New Sigma S1 Steel

Significant Savings

New Sigma S1 Steel is a single post, pile-driven PV mounting system that allows for flexible arrangement of modules in either portrait or landscape orientation. The system design and high level of pre-assembly translates into considerable savings as a result of reduced number of components involved and shorter installation times.

Maximum Durability

One of the significant characteristics of the New Sigma S1 Steel is the combination of high-quality galvanized steel components, stainless-steel fasteners, and marine-grade aluminum clamps. This guarantees excellent corrosion resistance and maximum durability.

High Degree of Flexibility

Depending on project requirements, New Sigma S1 Steel has multiple adjustment slots integrated in the design, allowing for adjustment options during installation. This product is also designed for installation on uneven terrain with tolerances of up to 12° in the east-west direction.

Environmentally - Friendly

New Sigma S1 uses a single pile-driven post, minimizing ground disturbance. This allows an easier and more cost-effective re-naturalization in comparison to using concrete foundations. The high-quality materials used for the components can also be recycled, adding more to the savings.



Open terrain



Framed Module



Orientation Portrait



Orientation Landscape



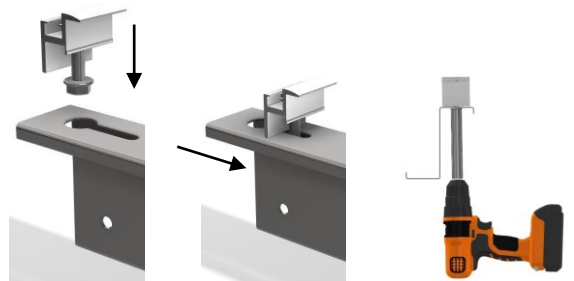
S-rack

SOLAR MOUNTING SYSTEMS

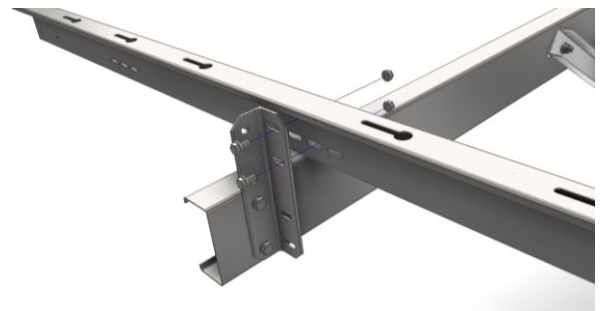
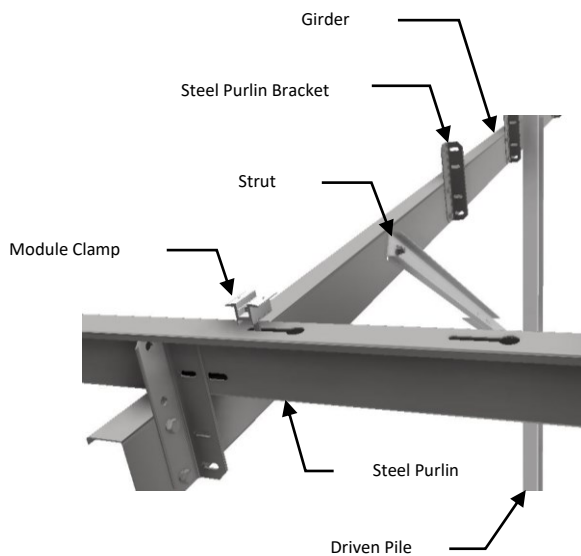
Application	<i>Open terrain - ground mount</i>
PV modules	<i>Framed</i>
Module layout	<i>Multiple configurations, max. table length: 30 m</i>
Module orientation	<i>Portrait, landscape</i>
Module inclination	<i>Any angle</i>
Ground clearance	<i>Various</i>
New Sigma post spacing	<i>According to static calculation</i>
Standards	<i>AS/NZS 1170.0:2002</i> <i>AS/NZS 1170.1:2002</i> <i>AS/NZS 1170.2:2011</i> <i>AS/NZS 1170.4:2007</i> <i>AS/NZS 4100:1998</i> <i>AS 1664.2:1997</i>
Parts	<i>Hot-dipped Galvanized Steel</i> <i>Anodized/Mill Aluminum clamps</i> <i>Stainless Steel bolts and fasteners (optional)</i>
Warranty	<i>10 years¹</i>



Module Clamps for Steel Purlins



Steel Module Clamp Installation



Steel Purlin Bracket-Steel Purlin Assembly

¹ Please refer to the S-Rack Australia Pty Ltd Terms and Conditions.

For further information: www.s-rack.com

Subject to technical alterations.
 2018 © S-Rack Australia Pty Ltd
 Ver. Date: 21/04/2019