

Sigma S1 Alu

Significant Savings

The Sigma S1 is a single-post, pile-driven PV mounting system with a simple yet well thought out design that reduces the number of tools required for installation. This translates into considerable savings on material and installation cost due to the reduced number of components involved as well as shorter installation time.

Maximum Durability

One of the significant characteristics of the Sigma S1 is the combination of marine-grade aluminum, high-quality stainless steel and galvanized steel components. This guarantees excellent corrosion resistance and maximum durability.

High Degree of Flexibility

Depending on project requirements, the Sigma S1 can be assembled using aluminum or steel purlins. Adjustment slots are integrated in the design, allowing multiple adjustment options during installation.

Environmentally - Friendly

Sigma S1 uses a single pile-driven post, minimizing ground disturbance. This allows an easier and more cost-effective re-naturalization in comparison to using concrete foundations. The high-quality materials used for the components can also be recycled, adding more to the savings.



Open terrain



Framed Module



Unframed Module



Orientation Portrait



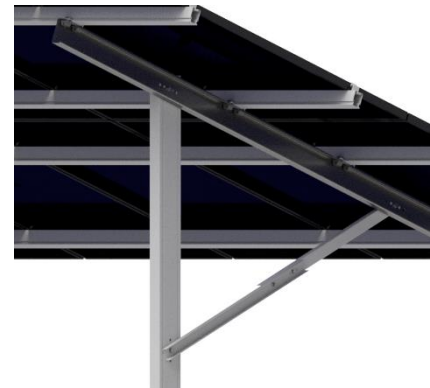
Orientation Landscape



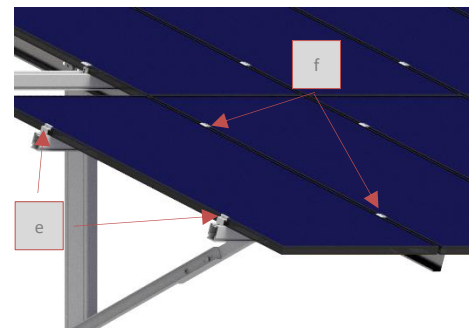
S-rack

SOLAR MOUNTING SYSTEMS

Application	<i>Open terrain - ground mount</i>
PV modules	<i>Framed, frameless</i>
Module layout	<i>Multiple configurations, max. table length: 30 m</i>
Module orientation	<i>Portrait, landscape</i>
Module inclination	<i>Any angle</i>
Ground clearance	<i>Various</i>
Sigma post spacing	<i>According to static calculation</i>
Standards	<i>AS/NZS 1170.0:2002</i> <i>AS/NZS 1170.1:2002</i> <i>AS/NZS 1170.2:2011</i> <i>AS/NZS 4100:1998</i> <i>AS/NZS 4600:2005</i>
Parts	<i>Galvanized Steel</i> <i>Anodized/Mill Aluminum</i> <i>Stainless Steel bolts and fasteners (optional)</i>
Warranty	<i>10 years¹</i>

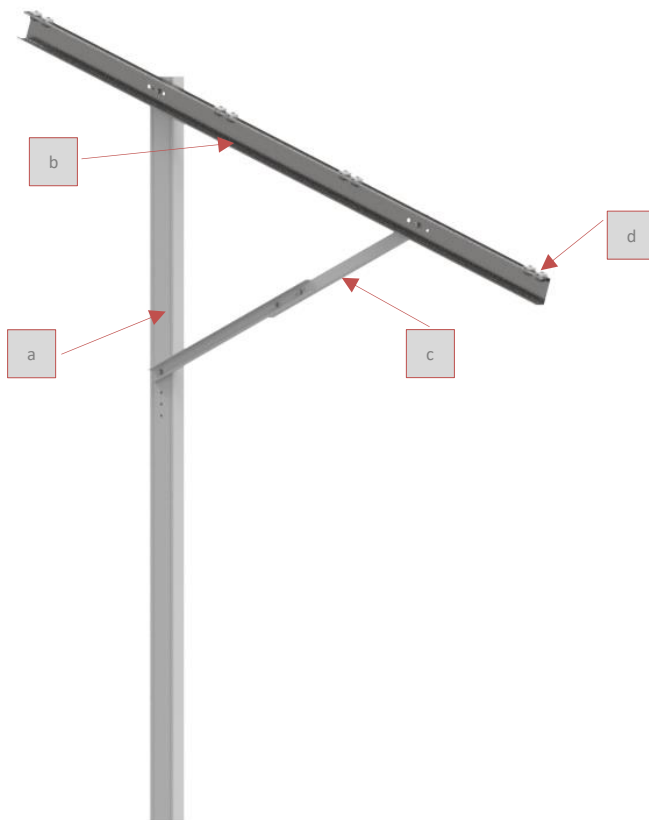


Sigma S1 Structure



Sigma S1 Alu Support

- a C-Post*
- b Rafter*
- c Strut*
- d Purlin Clamp*
- e Module End Clamps*
- f Module Mid Clamps*



¹ Please refer to the S-Rack Australia Pty Ltd Terms and Conditions.

For further information: www.s-rack.com

Subject to technical alterations.
 2018 © S-Rack Australia Pty Ltd
 Ver. Date: 04/05/2021